

7178 Nodulair GY meskantafsluiter pneumatisch DW - bidirectioneel

APPLICATION

General use: pulp production, water, water treatment, waste water, wine-producing...

GENERAL CHARACTERISTICS

Non rising bi-directional tight knife gate valve.
Function ON/OFF or regulation.
Between flanges connection according to ISO PN10.
Vertical mounting without inclination on horizontal pipeline
and all positions on vertical pipeline.
Complete Sealed by nitrile elastomer seat in standard.

CONSTRUCTION

11	1	Nameplate	Stainless steel 304
10	1	Pneumatic actuator	Aluminium
9	1	Protection plate	Stainless steel 304
8	2	Support plate	Steel A45
7	1	Stem	Stainless steel 304
6	1	Packing gland	Ductile iron EN-GJS-500-7
5	2	O ring	NBR
4	4	Packing	PTFE
3	1	Gate	Stainless steel 304
2	1	Seat	NBR
1	1	Body	Ductile iron EN-GJS-500-7
Pos.	Q-ty	Description	Material

* Pre-shaped parts up to DN300.

DIMENSIONS

DN		L	B	C	H	ØK	ØP	2-G	n	ØM	Weight (kg)
mm	inch										
50	2"	43	126	62	411	125	80	G1/4"	4	4xM16	8,0
65	2 1/2"	46	140	69	452	145	80	G1/4"	4	4xM16	9,0
80	3"	46	154	91	492	160	80	G1/4"	8	4xM16	10,0
100	4"	52	177	104	550	180	100	G1/4"	8	4xM16	13,0
125	5"	56	198	119	620	210	125	G1/4"	8	4xM16	18,0
150	6"	56	220	131	696	240	125	G1/4"	8	4xM20	21,0
200	8"	60	275	158	871	295	160	G1/4"	8	4xM20	36,0
250	10"	68	326	197	1025	350	200	G1/4"	12	8xM20	57,0
300	12"	78	380	231	1177	400	200	G1/4"	12	8xM20	77,0
350	14"	78	438	255	1361	460	250	G3/8"	16	10xM20	138,0
400	16"	102	494	292	1513	515	250	G3/8"	16	10xM24	173,0
450	18"	114	563	311	1656	565	250	G3/8"	20	14xM24	219,0
500	20"	127	626	344	1811	620	320	G3/8"	20	14xM24	266,0

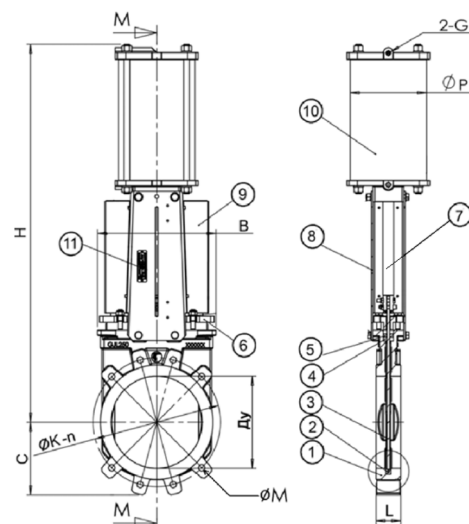
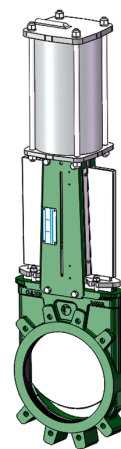
WORKING CONDITIONS

Working pressure :
DN50-250 : 10 bar
DN300-400 : 7 bar
DN500 : 4 bar

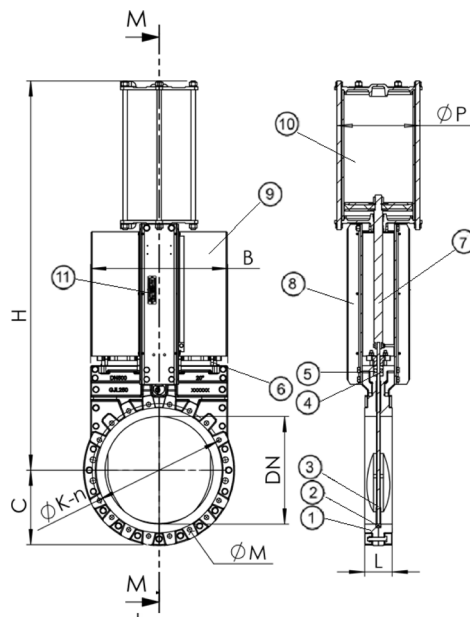
Maximum working temperature : -10°C / +80°C

STANDARDS

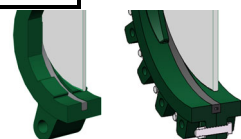
Face to face dimension according to standard EN558 serie 20.
Test procedures are established according to standards EN 12266-1, DIN 3230, BS 5154 and ISO 5208. Connections between flanges according to standard EN 1092-2 and DIN 2501 ISO PN10.



DN50-400



DN450 - 500



Bi-directional tightness